

# N120 Extension Ring II

PN 22120 / 22125 / 22155 / 22160 / 22180 / 22190

PN 22130 / 22135 / 22140 / 22150 / 22170

## User Manual

Port / Extension ring

Introduction	2
Package Contents	2
Precautions	3
Part Names	4
Mount Extension Ring To Port	6
Attach Focus Knob On Extension Ring	7
Specifications	8
Care/Warranty	9

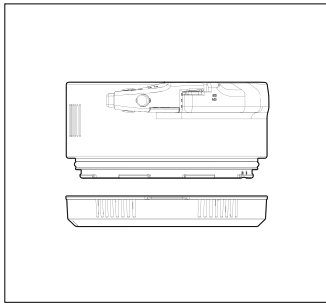
# INTRODUCTION

Thank you for purchasing this Nauticam product.

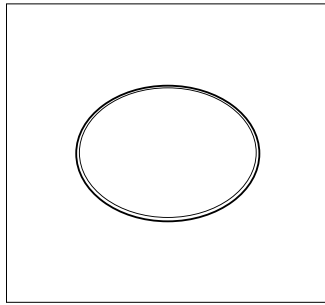
Before using the product, please read this manual thoroughly to familiarize yourself with full scope of functions on the product as well as ensuring that you will use the product correctly.

# PACKAGE CONTENTS

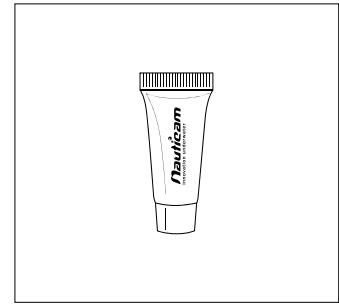
Make sure that you have all the included items listed below before using this product. If some items are missing or damaged, contact your local Nauticam dealer.



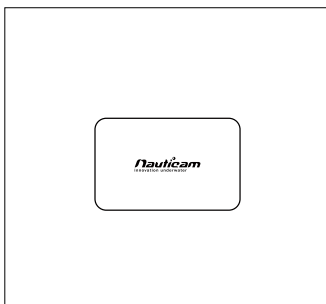
N120 Extension Ring II  
(1 x Hard Cap)



90140 Spare O-ring



Padded Travel Case



Manual Instruction Card

# PRECAUTIONS

Before installation of ports and extension rings, please make sure the O-ring (s) are free from debris and uneven surface issues.

A water-tight/vacuum test without the camera inside the housing is highly recommended after the changing of port, extension ring and O-ring(s).

Do not use lubricants from other brands to the silicone rubber O-ring on our product, only use the lubricant provided by NAUTICAM.

Discontinue use immediately should you notice any leakage or if the moisture alarm activates.

Do not open the product in a wet or sandy environment. Protect the interior from moisture and debris in order to prevent malfunction or leakage.

Defective products should be shipped to our dealers for service, unauthorized disassembling and/or modifications could result in malfunction or leakage.

When carrying a housing setup with the port attached, always firmly hold the housing setup.

After verifying that the sealing O-ring is in good condition, lightly coat it with the lubricant provided and wipe away the excess.

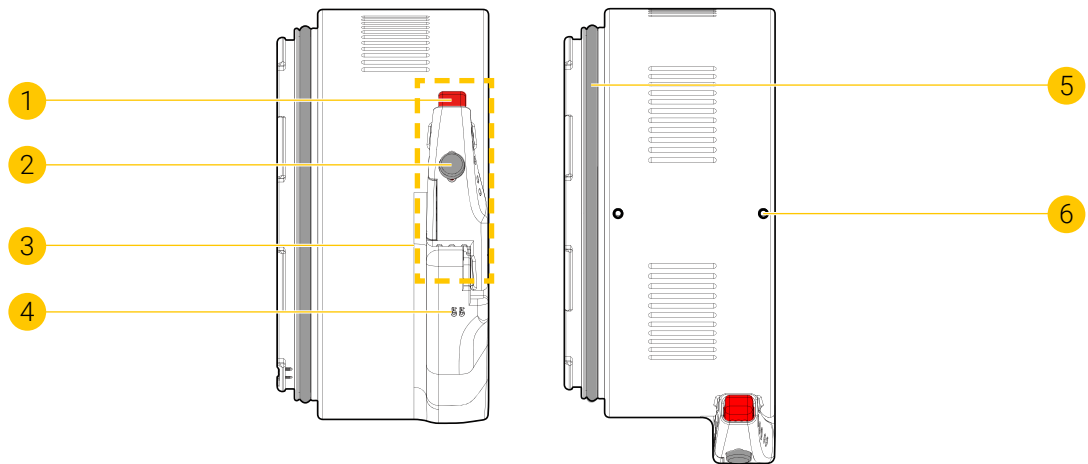
Make sure the O-ring groove is free from any foreign material; the groove can be cleaned with the aid of a microfiber cloth.

Carefully place the port O-ring into the groove, ensuring that it lays flat and is inserted inside the groove entirely.

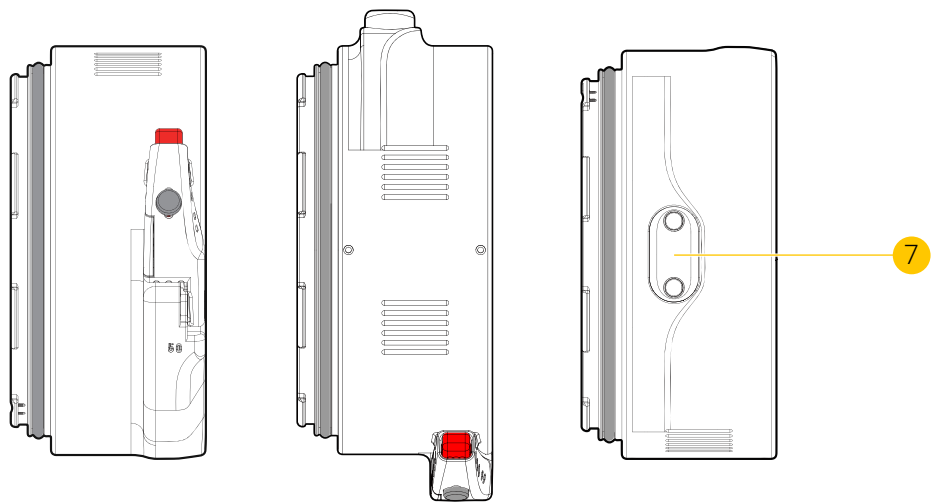
Inspect the O-ring again, make sure there is no foreign materials.

After installing the port / extension ring, inspect the setup by lifting up the entire system, make sure that the gap between the housing and the port / extension rings is uniformed with no exposed O-ring.

# PART NAMES



22120 / 22125 / 22155 / 22160 / 22180 / 22190 N120 Extension ring II

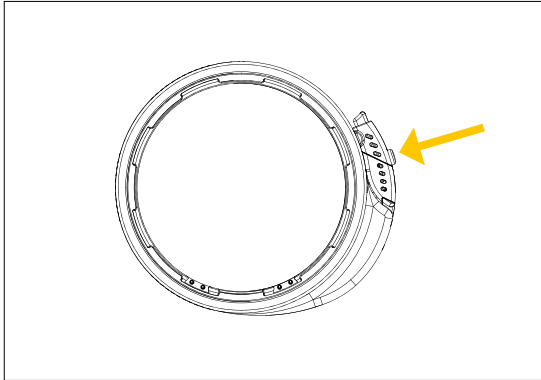


22130 / 22135 / 22140 / 22150 / 22170 Extension ring II

- 1 Lock safety button
- 2 Unlock button
- 3 Locking lever
- 4 Extension ring length mark
- 5 O-ring
- 6 Alignment "O" mark
- 7 Plug for focus knob

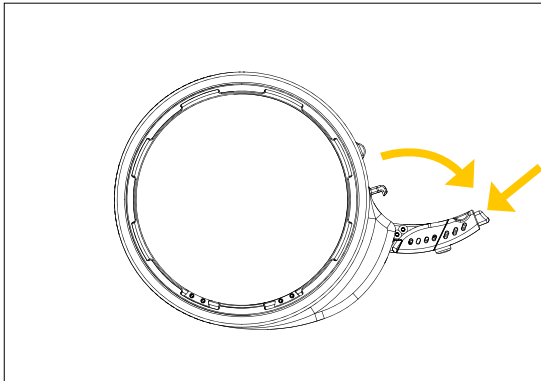
# MOUNT EXTENSION RING TO PORT

1



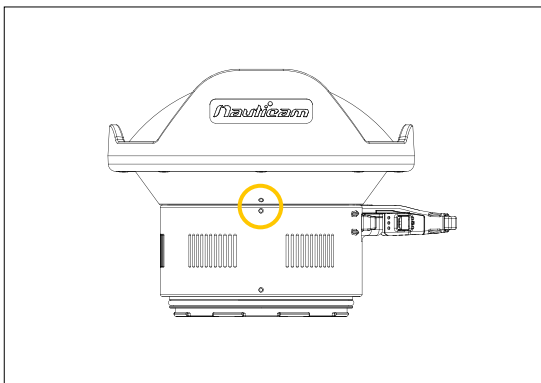
Press the extension ring unlock button

2



Then press the extension ring lock safety button and turn the locking lever to release position as shown

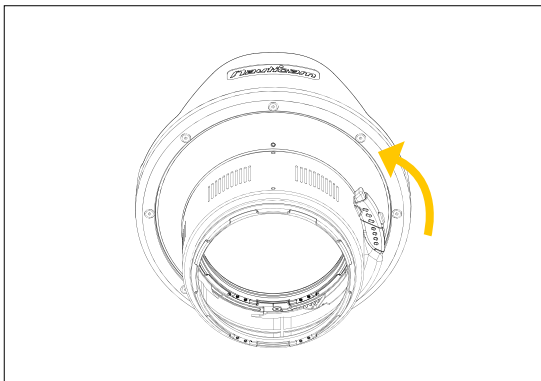
3



Align the alignment "O" mark of the extension ring and the port

Gently push the extension ring into the port until it cannot go in any further

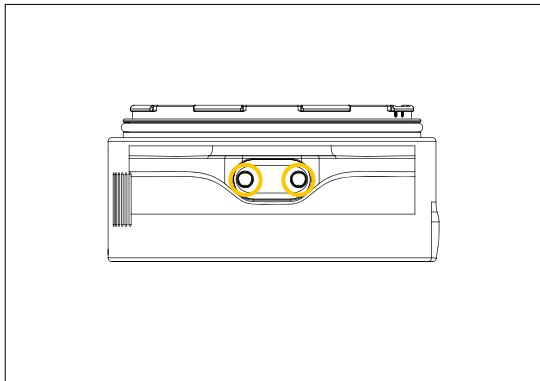
4



Lock the extension ring into place by turning the extension ring locking lever to the inward lock position and when a "click" sound is heard

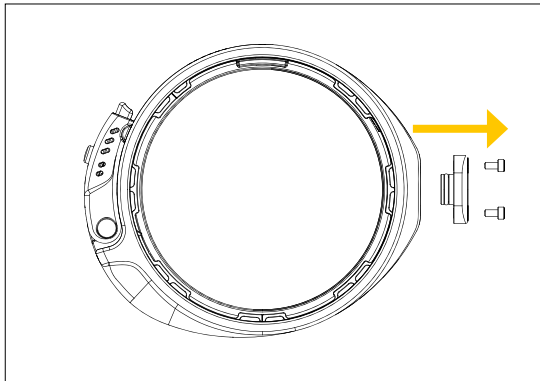
# ATTACH FOCUS KNOB ONTO EXTENSION RING

1



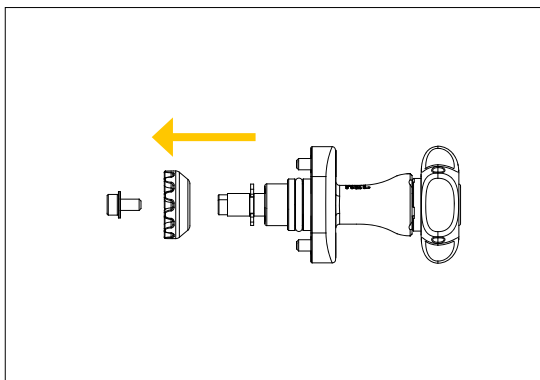
Remove the screw covers on the focus knob plug on the extension ring

2



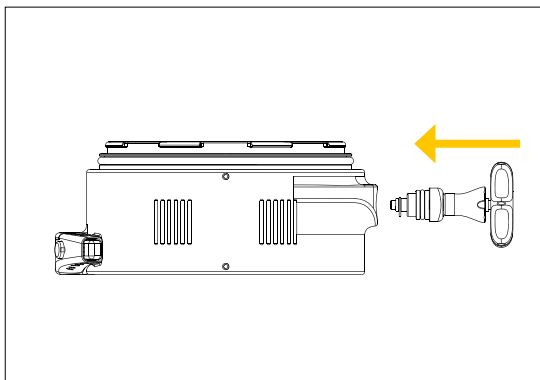
Remove the screws and focus knob plug from the extension ring

3



Remove pre-installed gear from the focus knob assembly by removing a screw as shown

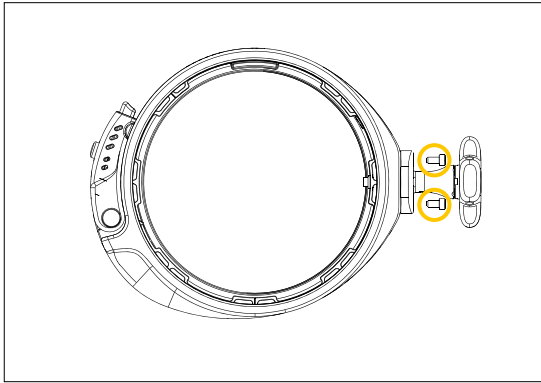
4



Insert a focus knob assembly through the hole of the extension ring

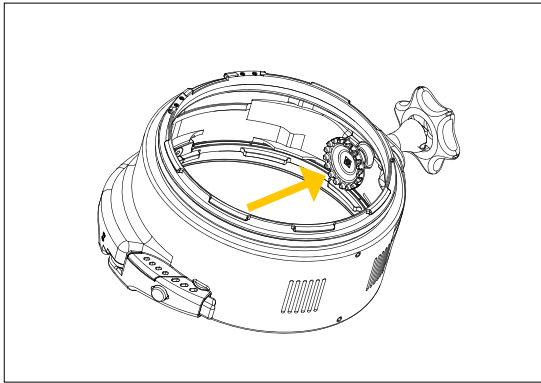
Gently push the focus knob assembly into the hole until it cannot go in any further

5



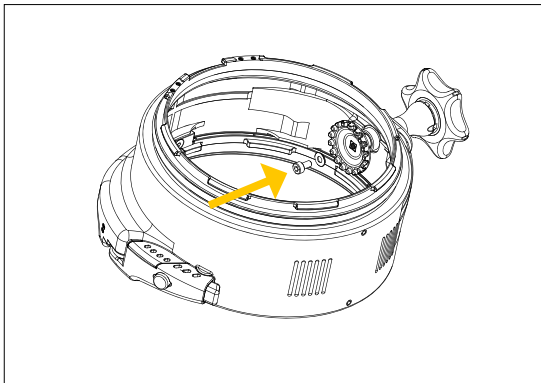
Tighten the focus knob on the extension ring by screwing 2x screws provided in the packaging

6



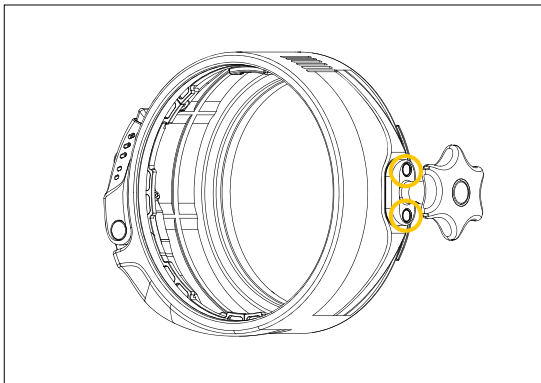
Mount a gear on a shaft of the focus knob as shown

7



Place a washer onto the gear and tighten it with a screw

8



Plug the screw covers provided as shown

# SPECIFICATIONS

## #22120 N120 Extension Ring 20 II

Dimensions (mm) :	145.70×133.45×33.05
Extension length :	20 mm
Weight in air :	0.22 kg
Buoyance in water :	0.1 kg
Depth Rating:	150 m

## #22130 N120 Extension Ring 30 II

Dimensions (mm) :	151.6×133.4×43.1
Extension length :	30 mm
Weight in air :	0.25 kg
Buoyance in water :	0.17 kg
Depth Rating:	150 m

## #22140 N120 Extension Ring 40 II

Dimensions (mm) :	151.6×133.4×53.1
Extension length :	40 mm
Weight in air :	0.27 kg
Buoyance in water :	0.28 kg
Depth Rating:	150 m

## #22155 N120 Extension Ring 55 II

Dimensions (mm) :	145.7×133.5×68.1
Extension length :	55 mm
Weight in air :	0.29 kg
Buoyance in water :	0.44 kg
Depth Rating:	150 m

## #22170 N120 Extension Ring 70 II

Dimensions (mm) :	151.6×133.4×83.1
Extension length :	70 mm
Weight in air :	0.32 kg
Buoyance in water :	0.6 kg
Depth Rating:	150 m

## #22190 N120 Extension Ring 90 II

Dimensions (mm) :	145.7×133.5×103.1
Extension length :	90 mm
Weight in air :	0.35 kg
Buoyance in water :	0.81 kg
Depth Rating:	150 m

## Accessories

#22131	Focus Knob for 22130/22140
#22151	Focus Knob for 22135/22150
#22171	Focus Knob for 22170

## #22125 N120 Extension Ring 25 II

Dimensions (mm) :	145.7×133.5×38.1
Extension length :	25 mm
Weight in air :	0.24 kg
Buoyance in water :	0.15 kg
Depth Rating:	150 m

## #22135 N120 Extension Ring 35 II

Dimensions (mm) :	151.6×133.4×48.1
Extension length :	35 mm
Weight in air :	0.26 kg
Buoyance in water :	0.22 kg
Depth Rating:	150 m

## #22150 N120 Extension Ring 50 II

Dimensions (mm) :	151.6×133.4×63.1
Extension length :	50 mm
Weight in air :	0.29 kg
Buoyance in water :	0.39 kg
Depth Rating:	150 m

## #22160 N120 Extension Ring 60 II

Dimensions (mm) :	145.7×133.5×73.1
Extension length :	60 mm
Weight in air :	0.3 kg
Buoyance in water :	0.5 kg
Depth Rating:	150 m

## #22180 N120 Extension Ring 80 II

Dimensions (mm) :	145.7×133.5×93.1
Extension length :	80 mm
Weight in air :	0.33 kg
Buoyance in water :	0.71 kg
Depth Rating:	150 m



## CARE AND MAINTENANCE

Soak the housing system in fresh water after each use, during which all control buttons/knobs should be operated a few times to avoid the accumulation of salt residue; wipe the housing with a towel before opening.

After removing the housing from the rinse tank, carefully press the housing lock safety button for a few times to avoid the accumulation of salt residue.

After each day of diving, it is advisable to have both the housing main O-ring and port O-ring removed from its groove with the O-ring remover and inspected for damage. Also check that the O-ring retains its original circular shape; never stretch the O-ring excessively or remove it with a sharp object.

The O-ring groove should be cleaned to ensure it is free from any salt deposit or foreign material; lightly coat the O-ring with the provided lubricant before reinstalling it in the groove.

A damaged O-ring should be discarded immediately and replaced only with one that is provided by NAUTICAM.

Blow off dust and other foreign matter with an air blower from locking mechanism.

## WARRANTY

All NAUTICAM Products are warranted against any material and manufacturing defects for two years from the date of purchase for consumer use. This warranty only applies to products purchased from authorized NAUTICAM dealers and does not extend beyond the original retail purchaser.

To return your product for service, please contact your regional authorized service center(s). Please note that this warranty only applies when the product is purchased in the territory where the service center is located.

NAUTICAM does not hold responsibility for damage, of any nature, to any equipment used with and/or placed within our products.

NAUTICAM accepts no liability for any loss of captured images or the inability to capture images even if it is due to the malfunctioning of our products.

Unauthorized modifications and/or repairs of our products will automatically invalidate the warranty.

**Nauticam Internationl Ltd.**

Rm 2203, CCT Telecom Bldg,  
11 Wo Shing St,  
Fo Tan,  
Hong Kong

Tel. +852 - 26902711  
Fax. +852 - 26909778  
URL. [www.nauticam.com](http://www.nauticam.com)  
Gallery. [www.nauticam.smugmug.com](http://www.nauticam.smugmug.com)